



Multi-Position Motor

Model MPM

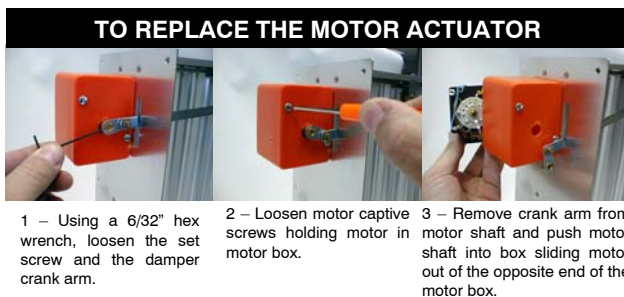
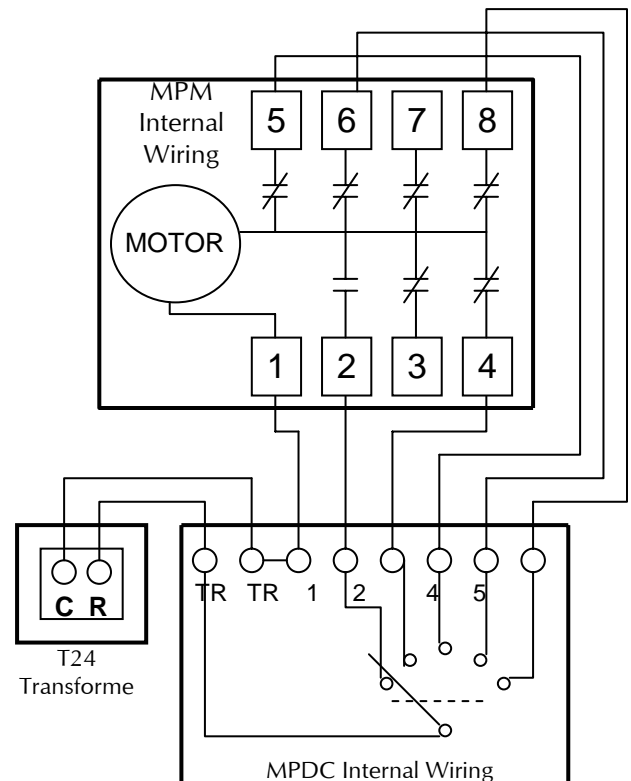
The Multi-Position Motor, Model MPM, is a 24 Volt, AC five-position motor. This motor is used with the Multi-Position Fresh Air Dampers, Model MPD, MPB and MPI dampers. This motor also serves as a replacement for the TAT Multi-Position Fresh Air Dampers, Model MPFAD series.

The MPM requires the Multi-Position Damper Control to control the damper to any one of its five (5) positions, CLOSED-25%-50%-75%-OPEN. Once the motor reaches the position set on the MPDC, the motor's internal end switches cuts power to the motor. Therefore the MPM only uses power while moving between positions. Once the motor is stopped at one of its positions, it consumes no power.

The MPM and MST two-position motor are similar except for the internal switch and are interchangeable. The MPM also has a distinctive blue label and is number 1 through 8, versus the MSTN and its white label and different numbering. The MPM can be used to replace an MST motor and be a two-position actuator. The MST cannot be an MPM as it can only operate to Open and Closed and not provide the in between positions.



Wiring Diagram



Checkout

The checkout of the MPM is very simple. Use a 24Volt power source and place the common lead to terminal 1 on the motor. Use the hot lead and move between terminals 2-4-5-6-8. As each terminal is power the motor will move to the next position.

- 1 - Common
- 2- Closed
- 4 - 25%
- 5 - 50%
- 6 - 75%
- 8- Open