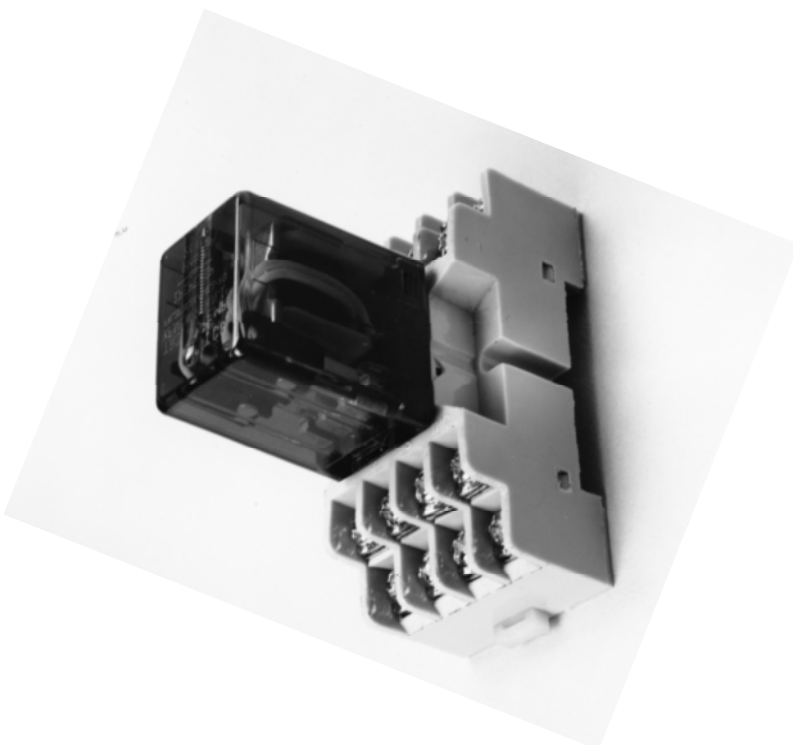


The 4 Pole Double Throw Relay, Model 4PDR, is a 24 Volt, AC, multi-purpose control relay. The 4PDR is a plastic DIN rail or flush mounted socket and plug-in-relay. The 4 Pole, Double Throw action provides four separate single pole double throw contacts that can be used for a variety of applications.

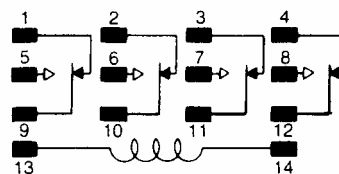
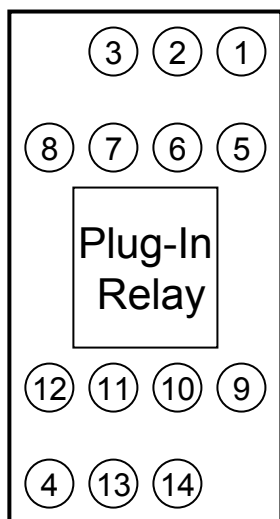
The most common use of the 4PDR is a slave damper control relay to control more than one damper from a single switch or zone on a control panel. The 4 contacts allow up to 4 separate dampers to be control by a single switch or control.

The two screws directly under the plug-in-relay are the relay coil, terminals 13 and 14. The bottom row of terminals are the common for each switch and the top row of terminals #1, 2, 3 and 4 are the normally closed contacts and the second row of terminals #5, 6, 7 and 8 are the normally open contacts.

The plug-in relay is easily replaceable and is the Model PIRR.



Contact Layout



Internal Schematic

RATINGS

COIL - 24 Volts, AC

Nominal coil current 50mA

CONTACTS - 3A @ 250VAC

Gold Flashed Silver Alloy

OPERATING TEMPERATURE - -40°F to +122°F.

March 30, 2004

4PDR WIRING FOR USING MULTIPLE ZD OR RDS SPRING RETURN DAMPERS FROM A SINGLE ZONE.

NOTE: Up to 16 Spring Return Dampers, round as shown or square/rectangular, can be controlled by one zone. A 24V 40VA transformer will power up to 5 damper motors, even though only 4 are shown.

